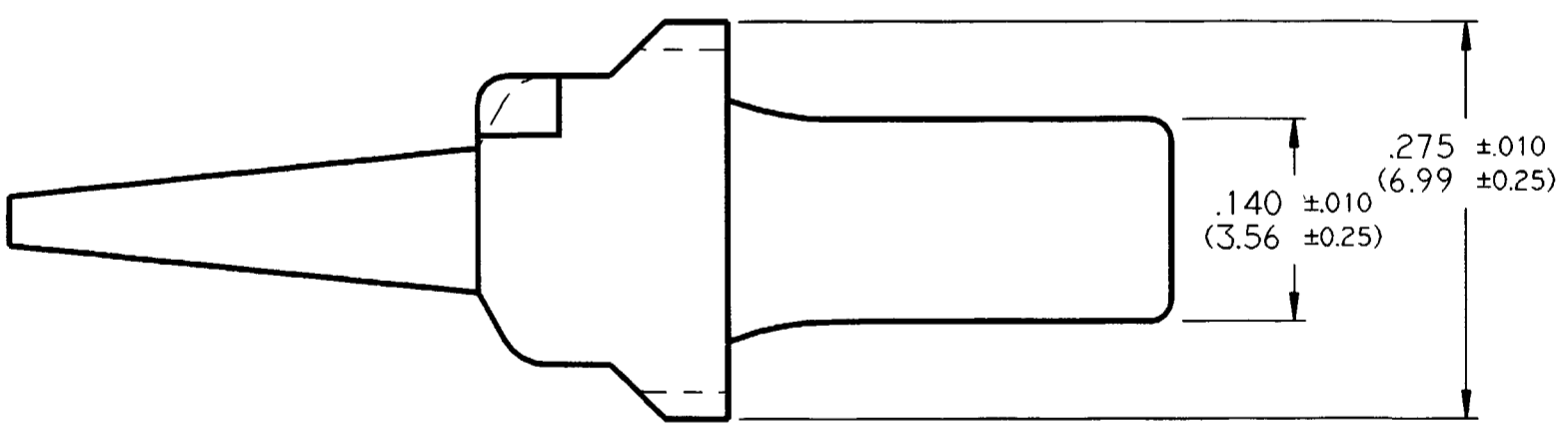
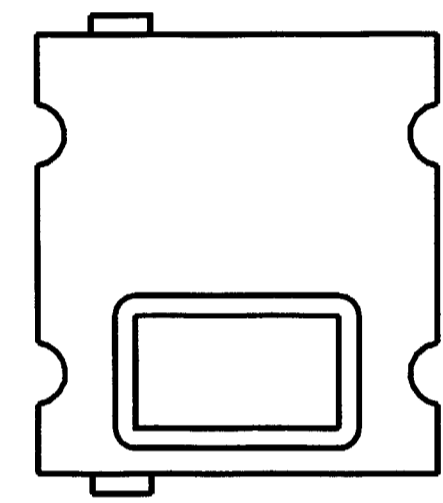
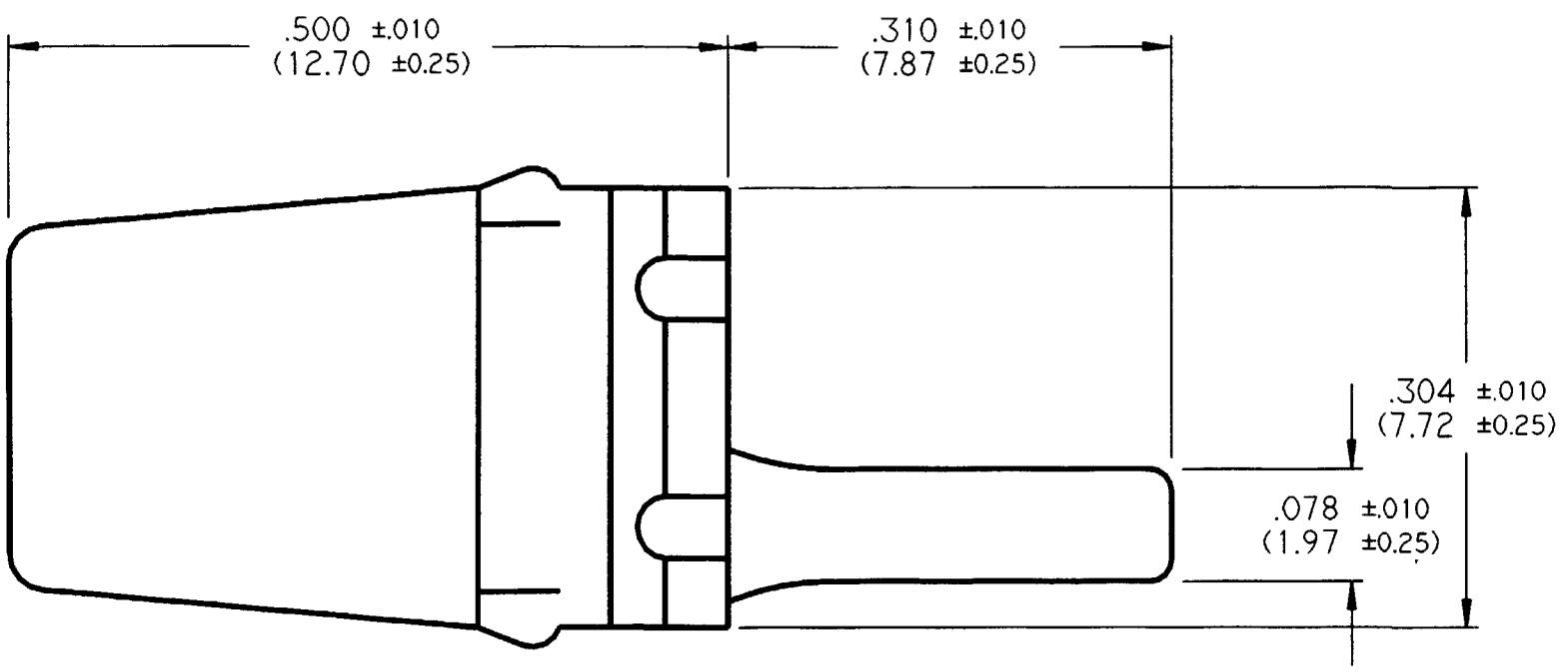


REV  
NC **WM - 4P**

REVISIONS			
SYM	DESCRIPTION	DATE	APPROVED
NC	NEW RELEASE PER E.O. A14914	10-27-95	RDR



- NOTES:
1. DIMENSIONS ARE IN INCHES (METRIC).
  2. DIMENSIONS ARE FOR REFERENCE ONLY.
  3. THIS PART MATES WITH DTM04-4P RECEPTACLE.
  4. COLOR = ORANGE.

SIGNATURE & DATE	
DR	V.TOMSA OCT-23-95
CHK	
PE	<i>Handwritten signature</i>
APPD	<i>Handwritten signature</i>
SCALE 8:1	WT

**WEDGE LOCK FOR  
4 PIN RECPT.  
HOUSING  
DTM SERIES**

ENVELOPE

CP	MATL CODE
<b>The Deutsch Company</b> DEUTSCH IPD. 37140 INDUSTRIAL AVE. HEMET, CALIF. 92343	
<b>B</b>	<b>WM - 4P</b>
DWG SIZE	CODE 11139 SHEET 1 OF 1